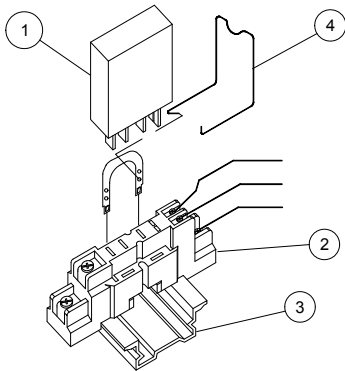




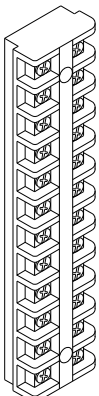
# Tower Panels

## Relay Assembly, RPM Replacement, 10-9380-6

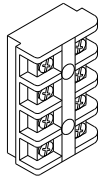


Ref.	Original Part No.	Substitute Part No.	Description
1	10-0060-3		Relay, Plug-In, Sing., PL/DBL.THRO
2	10-0061-1		Socket, Relay, Plug-In, 5 BL, 300 V
3	11-1788-6		Rail DIN, 2"
4	11-1797-7		Spring, Relay Retainer, SPDT

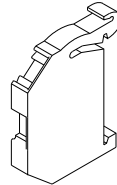
## Terminal Blocks



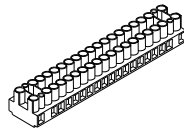
9-7602-7  
BLOCK, TERMINAL, 12 PT., #CR151B26AF



9-7604-3  
BLOCK, TERMINAL, 4 PT., #CR151B46AF



12-4620-0  
BLOCK, TERMINAL, ENDSTP, SCREWLS



11-0331-6  
BLOCK, TERM., 20PNT, #31F2442

Ref.	Original Part No.	Substitute Part No.	Description
1	09-7602-7		Block, Terminal, 12 Pt.
2	09-7604-3		Block, Terminal, 4 Pt.
3	11-0331-6		Block, Terminal, 20 Pt.
4	12-4620-0		Block, Terminal, Endstop, Screwless

## Tower Panel Fuses

Ref.	Original Part No.	Substitute Part No.	Description
1	09-8924-4		Fuse, 500V, 4 Amp, D.E.T.D.
2	09-9064-8		Fuse, 500V, 5 Amp, D.E.T.D.
3	09-9091-1		Fuse, 500V, 5.6 Amp, D.E.T.D.
4	09-9141-4		Fuse, 500V, 3.2 Amp, D.E.T.D.
5	09-9291-7		Fuse, 500V, 1.5 Amp, D.E.T.D.
6	09-9292-5		Fuse, 500V, 2.25 Amp, D.E.T.D.
7	11-7489-5		Fuse, 500V, 10 Amp, D.E.T.D.
8	16-0003-5		Fuse, 500V, 15 Amp, D.E.T.D.