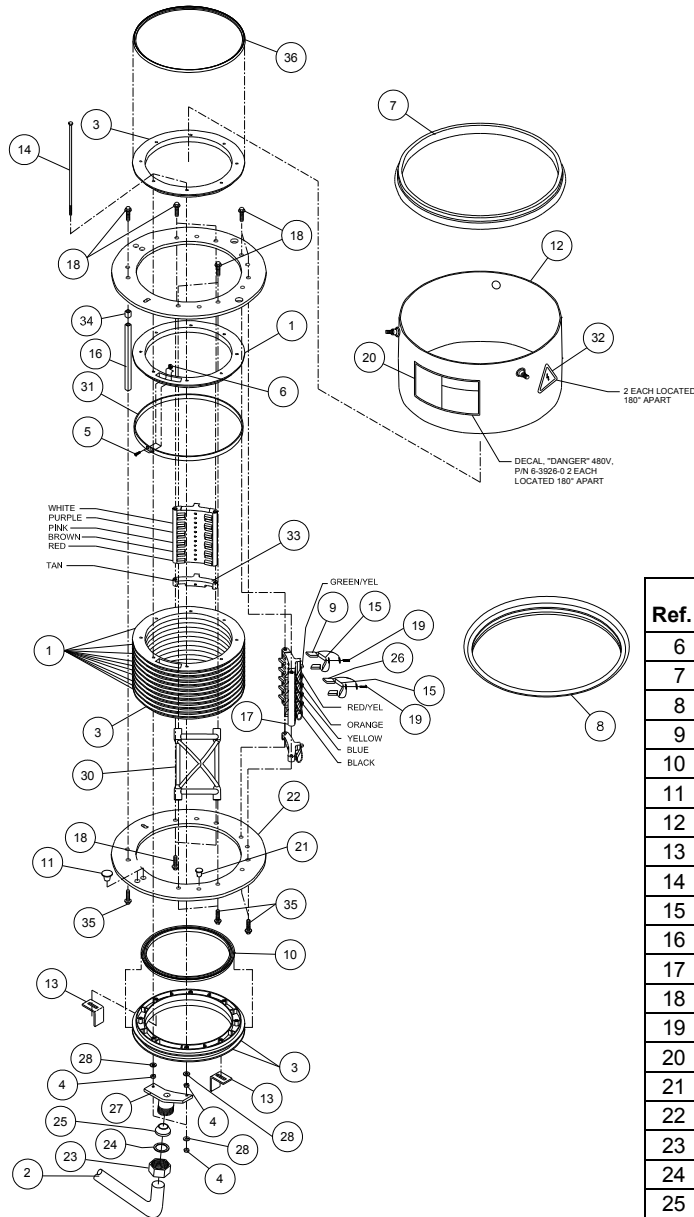




Collector Rings

Standard Collector Ring Assembly, 12 Wire, CE, 14-8498-0



Kit #11-2911-3 (Item 37) includes:

- (3) 03-0860-1 Bracket, Collector Ring
- (1) 03-4629-6 Termifoil Assembly
- (1) 06-0120-3 Nut, 3/8", Hex
- (3) 06-0800-0 Screw, 5/16 x 3/8", Hex
- (5) 06-0841-4 Nut, 1/4", Hex
- (5) 11-8405-0 Screw, 1/4" x 1", Hex, Stainless
- (1) 06-3658-9 Screw, 3/8" x 2-1/4", Hex, Gr. 5
- (5) 06-3890-8 Clamp, Conduit Support, 1/2"
- (1) 09-0816-0 Tie, Cable, Plastic, 5-1/2" Long
- (1) 09-0838-4 Connector, 3/4" w/Nut
- (6) 09-7610-0 Terminal, Wire, C, 16-14
- (4) 09-7614-2 Terminal, Wire, F, 10-12
- (1) 09-9183-6 Connector, 3/4" w/Nut
- (6) 09-9311-3 Terminal, Wire, 22-18

Ref.	Original Part No.	Substitute Part No.	Description
6	06-0152-6		Nut, #6-32, Hex, Brass
7	06-0200-3		Gasket, Collector Ring, Top
8	06-0210-2		Gasket, Collector Ring, Bottom
9	14-8526-0		Brush, 8" Collector Ring, Ground
10	14-8550-0		Gasket, Collector Ring, Inner, CE
11	06-2655-6		Plug, Polyethylene, 1/2"
12	06-3091-3		Shield, Collector Ring
13	06-3866-8		Bracket, Collector Ring
14	11-9821-0		Screw, #10-32x9-1/2", Hex, Mach.
15	06-3868-4		Spring, Brush, Collector Ring
16	06-3869-2		Spacer, Collector Ring
17	14-8527-0		Holder, Brush, 11 Position, Ground
18	06-3871-8		Screw, 1/4x1", HWH, S.T., Spec.
19	06-3872-6		Screw, #10 x 3/4", Ph. Pan Head
20	06-3926-0		Decal, "Danger", 480 Volt
21	06-4431-0		Plug, Plastic, 3/8"
22	06-4432-8		Bearing, Collector Ring
23	09-9158-8		Nut, Gland, 3/4", S.S.R. Connector
24	09-9159-6		Washer, Flat, 7/8", Spec., S.S.R.
25	09-9162-0		Grommet, 3/4" Str. Relief, .7-.8 Dia.
26	09-9163-8		Brush, Collector Ring
27	09-9178-6		Fitting, Strain Relief, Coll. Ring
28	10-2878-6		Washer, Flat, #10
29	11-6062-1		Tab, White Collector Ring
30	14-0008-0		Spacer, Two Post, Coll. Ring
31	97-2126-7		Strip, Brass, Conductive
32	11-7354-1		Decal, Electric Shock, ISO/CE
33	11-9754-0		Holder Brush, 1 Position
34	11-9755-0		Spacer, Collector Ring, Short
35	12-5907-0		Screw, Lag, 5/16" x 1-1/2"
36	14-8549-0		Gasket, Collector Ring, Upper, CE
37	11-2911-3		Kit, Collector Ring Hardware

Ref.	Original Part No.	Substitute Part No.	Description
1	03-2850-0		Ring, Collector Ring, Drilled
2	11-9744-0		Cable, Elect., 12 Wire x 18'-9" N
3	06-0020-5		Ring, 8-5/8", Polycarb., Coll. Ring
4	06-0848-9		Nut, #10-32, Hex
5	06-0150-0		Screw, #6-32 x 1-1/2, Ph. Fl. Hd., Br.