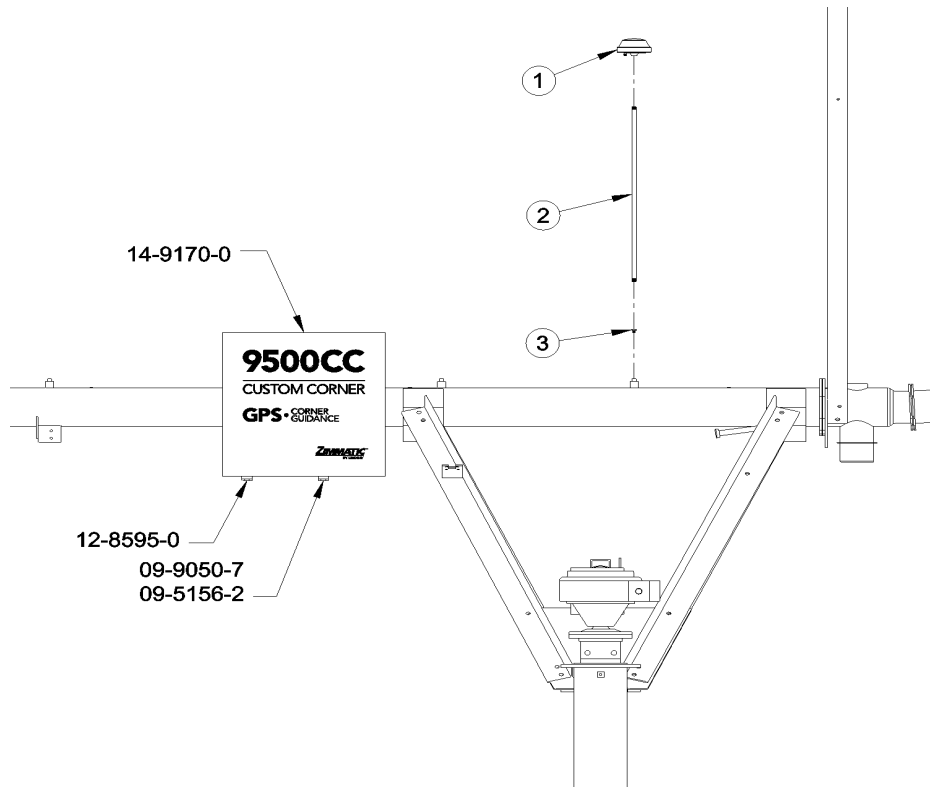


# Main Panels

## GPS Guidance Processor Panel Position



Ref.	Part No.	Description
1	14-7846-0	Antenna, A21L1, Crescent
2	14-8353-0	Riser Rod, Antenna Mount, GPS
3	06-1955-1	Bushing, Hex, 3/4 x 3/8