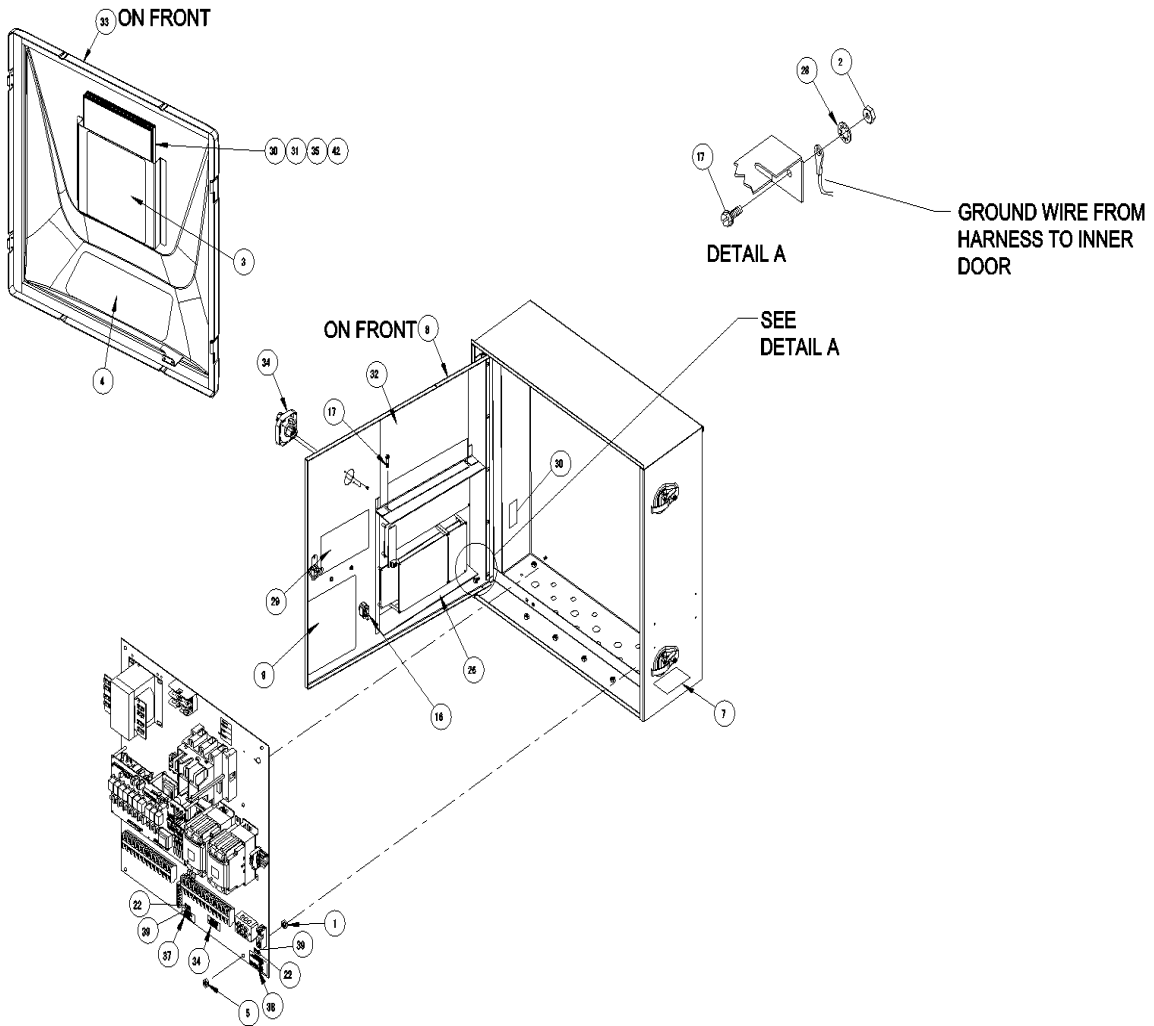


Main Panels

Panel, BOSS, 380V, CE, 16-0066-1





Main Panels

Panel, BOSS, 380V, CE, 16-0066-1, continued

Ref.	Original Part No.	Substitute Part No.	Description
1	06-0822-4		Nut, 5/16-18, Hex
2	06-0848-9		Nut, #10-32, Hex
3	06-3453-5		Decal, "Caution" Main Panel
4	16-0019-8		Decal, "Danger", Tow; "Caution" Rst
5	06-4267-8		Nut, 1/4-20, Lock, Nylon Insert
6	09-0816-0		Tie, Cable, Plastic, 5-1/2" Long
7	09-1248-5		Decal, "Machine Ground"
8	16-0004-2		Decal, BASIC/BOSS, Inner Door
9	09-7263-8		Decal, "Warning"
10	09-7610-0		Term., Wire, C,#16-14, Spade 10
11	09-7612-6		Term, Wire, D, #10-12, Ring, 1/4"
12	09-7614-2		Term., Wire, F,#10-12, Spade 10
13	09-7618-3		Term, Wire, N, #2-14, AWG, 1/4"
14			
15	09-9211-5		Terminal, Slip-On, 16-14-1/4"
16	09-9230-5		Switch, Toggle, SPDT, ON ON
17	10-2899-2		Screw, #10-24 x 1/2", Hex, S.T.
18	10-9227-9		Kit, Main Panel, Hardware
19	11-9515-0		Bracket, Panel Mount, Lower
20	11-9516-0	1600155	Bracket, Panel Mount, Upper
21	11-4819-6		Term., Wire, #10-12, Ring, #10
22	11-7357-4		Decal, Protective Earth (GRD)
23	11-7393-9		Terminal, Tubular, 10 AWG
24	11-7398-8		Terminal, Tubular, 16 AWG
25	11-7399-6		Terminal, Tubular, 18 AWG
26	16-0008-9		Module Assy, BOSS
27	11-7804-5		Cable, Ribbon, 14" 34 Cond.
28	11-8015-7		Washer, Lock, #10, I-Tooth
29	11-8109-8		Decal, Block, BOSS
30	11-8291-9		Manual, Operation, Center Pivot
31	11-8297-3		Manual, Operation, FieldBAS/BOSS
32	15-0590-0		Decal, Schem., BOSS, 380,CE, 10
33	16-0007-5		Decal, Zimmatic, Outer Door
34	1600943		Disconnect, IEC Fused
35	11-9095-0		Insert, Position Overlay, GrowSmart
36	12-2181-0		Clamp, Ribbon Cable, 2.0 Wide
37	13-7555-0		Decal, Terminal Torque, Groundbar
38	13-9974-0		Decal, Term. Torque
39	14-8366-0		Decal, Green/Yellow, "PE"
40	12-2934-0		Tubing, Corrugated Loom, 0.505"ID
41	11-8205-4		Tubing, Heat Shrink, 1-1/2"
42	14-8590-0		Latch, Spring, Key, CE