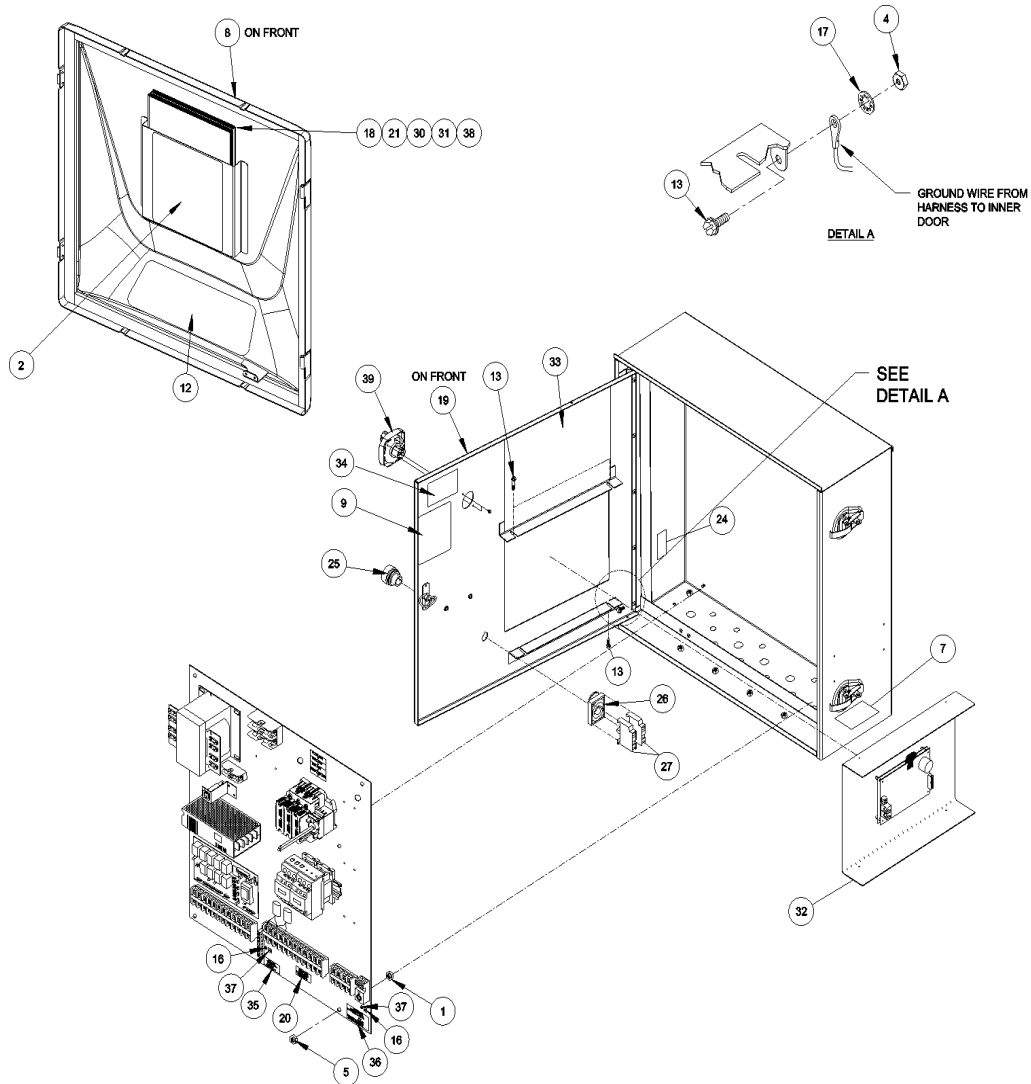


# Main Panels

## Panel, VISION, 380V, CE, 16-0063-1





# Main Panels

## Panel, VISION, 380V, CE, 16-0063-1

Ref.	Original Part No.	Substitute Part No.	Description
1	06-0822-4		Nut, 5/16", Hex
2	06-3453-5		Decal, "Caution", Main Panel
3			
4	06-0848-9		Nut, #10-32, Hex
5	06-4267-8		Nut, 1/4-20, Lock, Nylon Insert
6	09-0816-0		Tie, Cable, Plastic, 5-1/2" Long
7	09-1248-5		Decal, "Machine Ground"
8	16-0007-5		Decal, Zimmatic, Outer Door
9	09-7263-8		Decal, "Warning"
10	09-7610-0		Term., Wire, C,#16-14, Spade 10
11	09-7614-2		Term., Wire, F,#10-12, Spade 10
12	16-0019-8		Decal,"Danger", Tow; "Caution", Rst
13	10-2899-2		Screw, #10-24 x 1/2", Hex, S.T.
14	10-9227-9		Kit, Main Panel, Hardware
15	11-4819-6		Term., Wire, #10-12, Ring, #10
16	11-7357-4		Decal, Protective Earth (GRD)
17	11-8015-7		Washer, Lock, #10, I-Tooth
18	11-8291-9		Manual, Operation, Center Pivot
19	16-0004-1		Decal, VISION, Inner Door
20	11-9047-0		Decal, Terminal Torque
21	11-9095-0		Insert, Position Overlay
22	11-9515-0		Bracket, Panel Mount, Lower
23	11-9516-0	1600155	Bracket, Panel Mount, Upper
24	12-2181-0		Clamp, Ribbon Cable,
25	13-3536-0		Switch, Push, Momen, Black, AB
26	13-3537-0		Switch, Contact Latch, AB
27	13-3540-0		Switch, NO, Contact Block, AB
28	14-8590-0		Latch, Spring, Key, CE
29	13-3834-0		Decal, Safety Override, Main
30	13-4025-0		Manual, Operation, VISION
31	13-4026-0		Manual, VISION, Quick Ref.
32	16-0009-0		Module Assy, VISION, Micro
33	15-0591-0		Decal,Schematic,VISION,380V,CE
34	13-5843-0		Decal, Block, VISION
35	13-7555-0		Decal, Terminal Torque, Groundbar
36	13-9974-0		Decal, Term. Torque, Ground Lug
37	14-8366-0		Decal, Green/Yellow, "PE"
38	12-2934-0		Tubing, Corrugated Loom, 0.505"ID
39	1602086		Disconnect, Kit, IEC 1600943