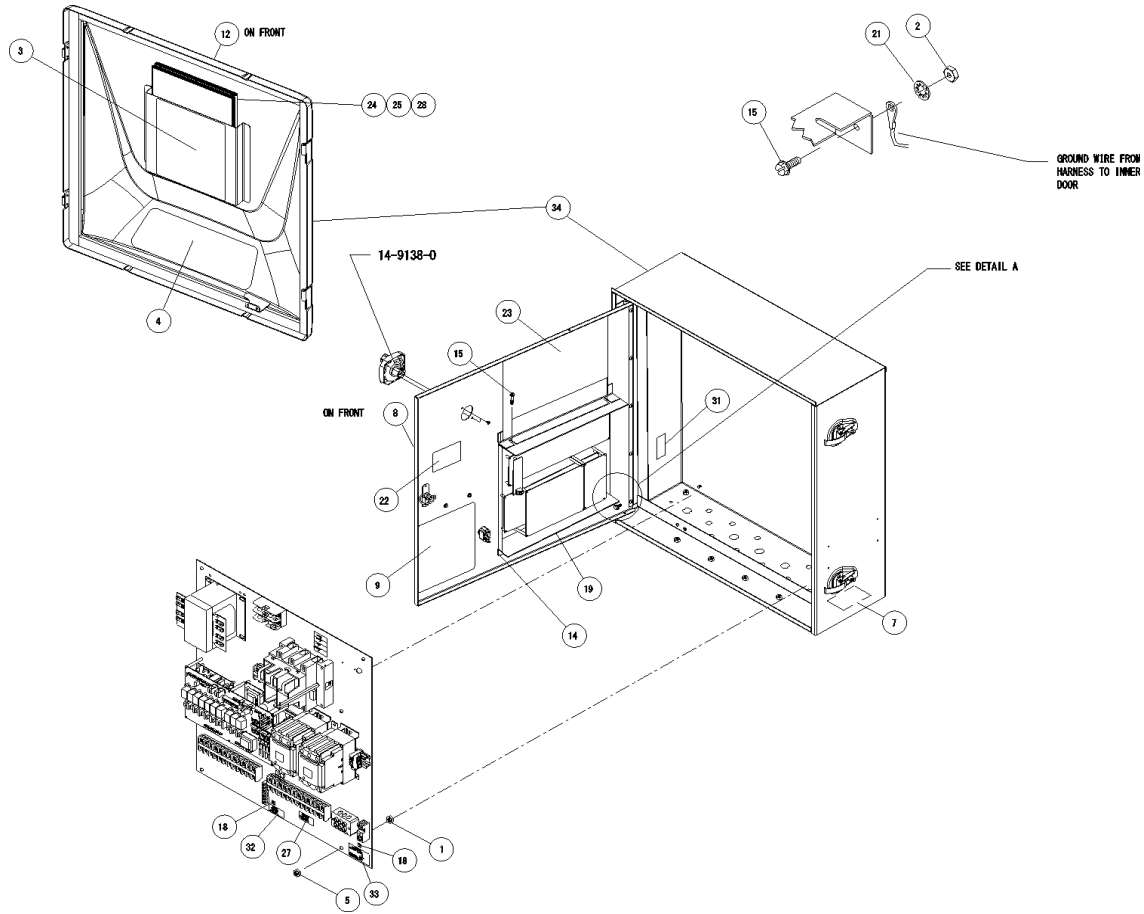


Main Panels

Main Panel, BOSS, 380/400V, 16-0077-7, 45 AMP



Ref.	Original Part No.	Substitute Part No.	Description
1	06-0822-4		Nut, 5/16-18, Hex
2	06-0848-9		Nut, #10-32, Hex
3	06-3453-5		Decal, "Caution" Main Panel
4	16-0019-8		Decal, "Danger", Tow; "Caution" Rst
5	06-4267-8		Nut, 1/4-20, Lock, Nylon Insert
6	09-0816-0		Tie, Cable, Plastic, 5-1/2" Long
7	09-1248-5		Decal, "Machine Ground"
8	16-0004-2		Decal, BASIC/BOSS, Inner Door
9	09-7263-8		Decal, "Warning"
10	09-7610-0		Term., Wire, C,#16-14, Spade 10
11	09-7614-2		Term., Wire, F,#10-12, Spade 10
12	16-0007-5		Decal, Zimmatic, Outer Door
13	09-9211-5		Terminal, Slip-On, 16-14-1/4"
14	09-9230-5		Switch, Toggle, SPDT, ON ON
15	10-2899-2		Screw, #10-24 x 1/2", Hex, S.T.
16	10-9227-9		Kit, Main Panel, Hardware
17	11-4819-6		Term., Wire, #10-12, Ring, #10
18	11-7357-4		Decal, Protective Earth (GRD)

Ref.	Original Part No.	Substitute Part No.	Description
19	16-0008-9		Module Assy, BOSS
20	11-7804-5		Cable, Ribbon, 26" 34 Cond.
21	11-8015-7		Washer, Lock, #10, I-Tooth
22	11-8109-8		Decal, Block, BOSS
23	14-5374-0		Decal, Schematic, FB, 380V, CE
24	11-8291-9		Manual, Operation, Center Pivot
25	11-8297-3		Manual, Operation, FieldBAS/BOSS
26			
27	11-9047-0		Decal, Terminal Torque
28	11-9095-0		Insert, Position Overlay, GrowSmart
29	11-9515-0		Bracket, Panel Mount, Lower
30	11-9516-0	1600155	Bracket, Panel Mount, Upper
31	12-2181-0		Clamp, Ribbon Cable, 2" Wide
32	13-7555-0		Decal, Terminal Torque, Groundbar
33	13-9974-0		Decal, Term. Torque