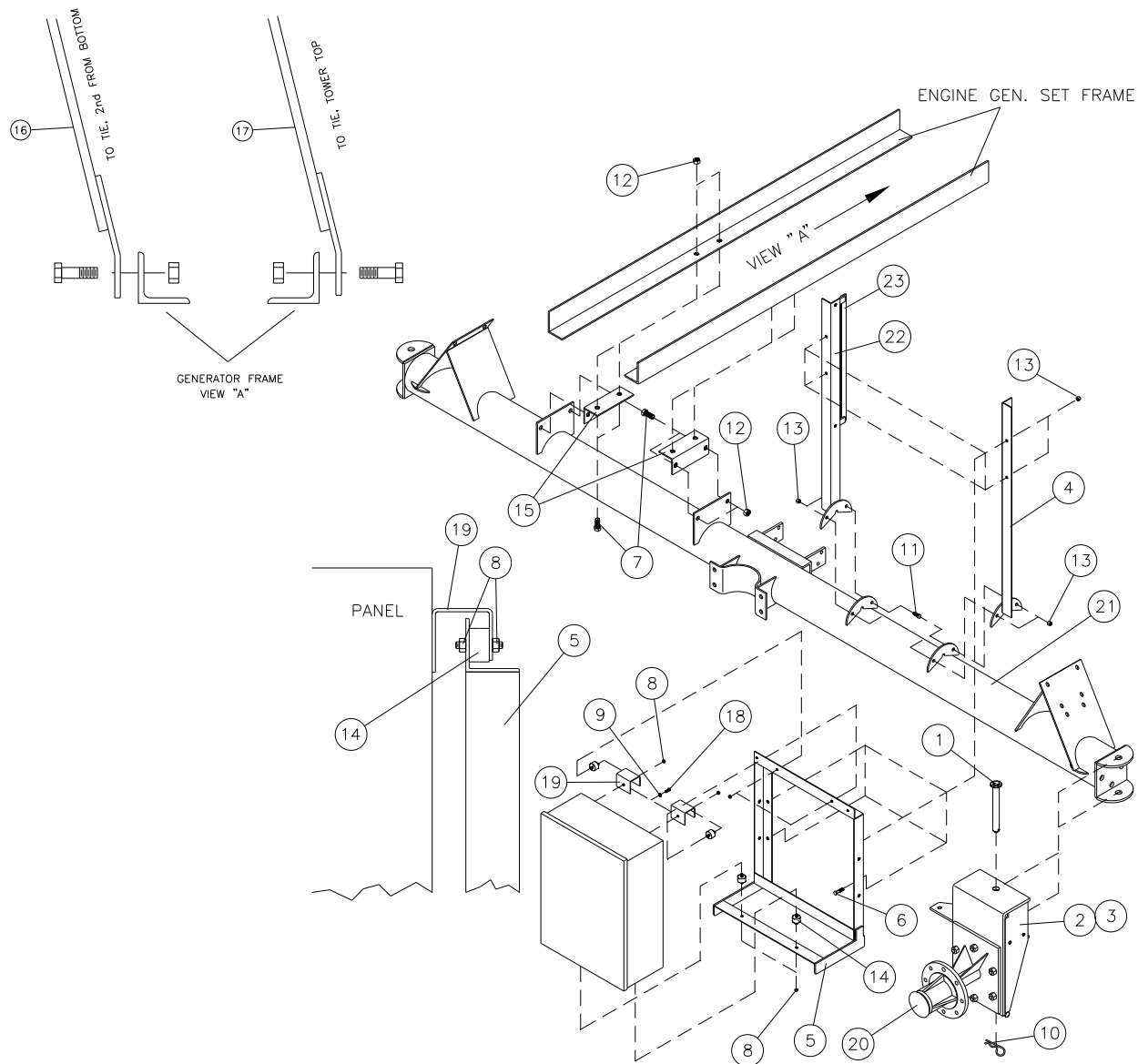




9500MP

Drive Tube Assembly (Jan. 1997 - Present)



Ref.	Original Part No.	Substitute Part No.	Description
1	03-2158-8		Pin Assembly, Gearbox Mount
2	03-7838-0		Mount Weld, Gearbox, R.H.
3	03-7839-8		Mount Weld, Gearbox, L.H.
4	04-0602-5		Mount Weld, Main Panel, R.H.
5	04-7165-6		Bracket, Main Panel, Universal
6	06-0803-4		Screw, 3/8-16 x 1-1/2", Hex, Gr. 5
7	06-0839-8		Screw, 5/8-11 x 1-1/2", Hex, Gr. 5
8	06-0841-4		Nut, 1/4-20, Hex
9	06-1510-4		Washer, Lock, 1/4"
10	06-2085-6		Pin, Cotter, 1/4" x 2-1/4"
11	06-2221-7		Screw, 3/8-16 x 1", Hex, Gr. 5
12	06-2416-3		Nut, 5/8-11, Lock

Ref.	Original Part No.	Substitute Part No.	Description
13	06-2420-5		Nut, 3/8-16, Lock
14	06-3849-4		Mount, Rubber, Comb. Mn Pnl, 1/4-20
15	10-0598-2		Support, Generator Set
16	10-0606-3		Rod Weldment, Short Hanger
17	10-0608-9		Rod Weldment, Long Hanger
18	10-2985-9		Screw, 1/4-20 x 3/4", Hex, Gr. 5
19	11-2499-9		Bracket, Shock Mount
20	11-2749-7		Spindle Assembly
21	11-3970-8		Frame Weldment, Swivel
22	11-4621-6		Mount Weld, Main Panel, L.H.
23	11-4626-5		Guide, Weld, Pin Capture