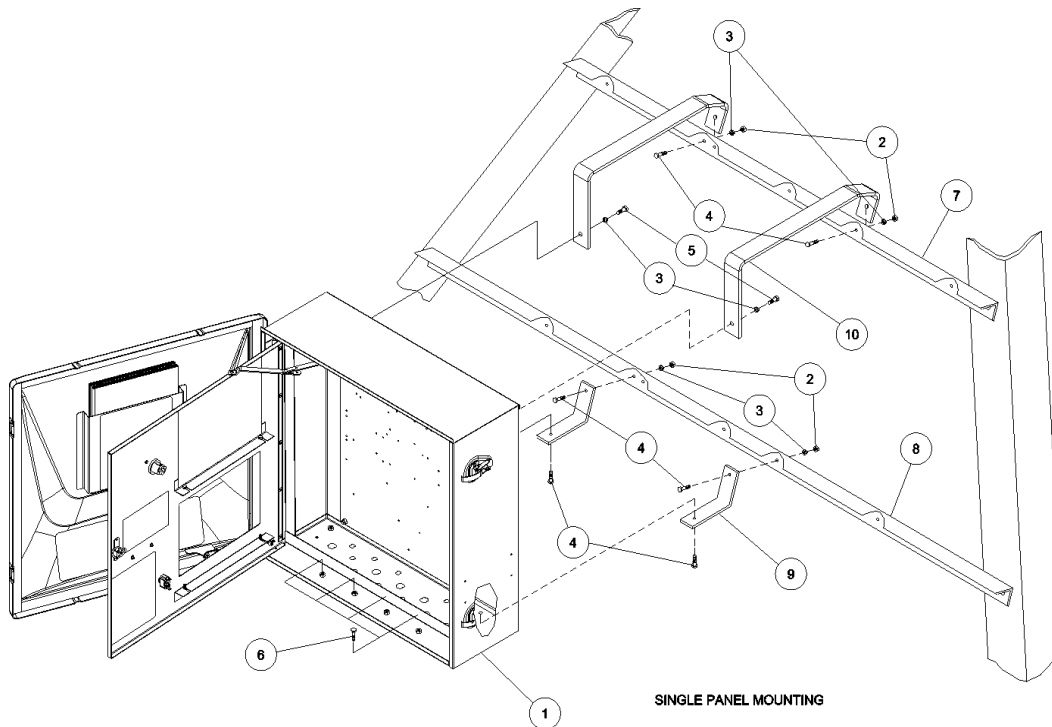




# Pivot Points

## Single Panel Mounting



SINGLE PANEL MOUNTING

**NOTES:**

1. THE TOP AND BOTTOM MOUNTING BRACKETS CAN BE USED TO MOUNT ANY 24" X 24" X 8" OR 24" X 16" X 8" PANELS.
2. MOUNT THE TOP BRACKETS, ITEM #10, TO THE BACK OF THE PANEL USING 2 EA. OF ITEM #5, 1/4-20 X 3/4" HEX SCREW AND 2 EA. OF ITEM #3, 1/4" LOCK WASHER, INTO THE WELD NUTS AT THE TOP-BACK OF THE PANEL AS SHOWN.
3. MOUNT THE BOTTOM BRACKETS, ITEM #9, TO THE 2ND TIE USING 2 EA. OF ITEM #2, 1/4-20 NUT, 2 EA. OF ITEM #3, 1/4" LOCK WASHER, AND 2 EA. OF ITEM #4, 1/4-20 X 1" HEX SCREW.
4. HANG THE PANEL FROM THE 3RD TIE AND ALIGN THE BOLT HOLES IN THE TIE WITH THE HOLES IN THE BRACKET. LOOSELY ASSEMBLE WITH 2 EA. OF ITEM #2, 1/4-20 NUT, 2 EA. OF ITEM #3, 1/4" LOCK WASHER, AND 2 EA. OF ITEM #4, 1/4-20 X 1" HEX SCREW.
5. ALIGN BOLT HOLES IN THE BOTTOM MOUNTING BRACKETS WITH THE MOUNTING HOLES IN THE BOTTOM OF THE PANEL. FASTEN WITH 2 EA. OF ITEM #3, 1/4" LOCK WASHER, AND 2 EA. OF ITEM #4, 1/4-20 X 1" HEX SCREW. INTO THE WELD NUTS AT THE BOTTOM OF THE PANEL AS SHOWN.
6. PLUG THE 4 WELD NUTS IN THE LOWER FRONT OF THE PANEL WITH ITEM #6, 1/4-20 X 3/8" SCREWS.

Ref.	Part No.	Description
1		Any 24" x 24" x 8" Panel
2	6-0841-4	Nut, 1/4-20, Hex
3	6-1510-4	Washer, Lock, 1/4"
4	6-3936-9	Screw, 1/4-20 x 1", Hex, Gr. 5
5	10-2985-9	Screw, 1/4-20 x 3/4", Hex, Gr. 5
6	11-3062-4	Screw, 1/4-20 x 3/8", Hex, Type 23
7	11-9461-0	Tie, Pivot, Panel Mount, Top, 51 1/2"
8	11-9462-0	Tie, Pivot, Panel Mount, Bottom, 71 11/16"
9	11-9515-0	Bracket, Panel Mount, Lower
10	16-0015-5	Bracket, Panel Mount, Upper