



# Pivot Points

## Pressure Switch Installation

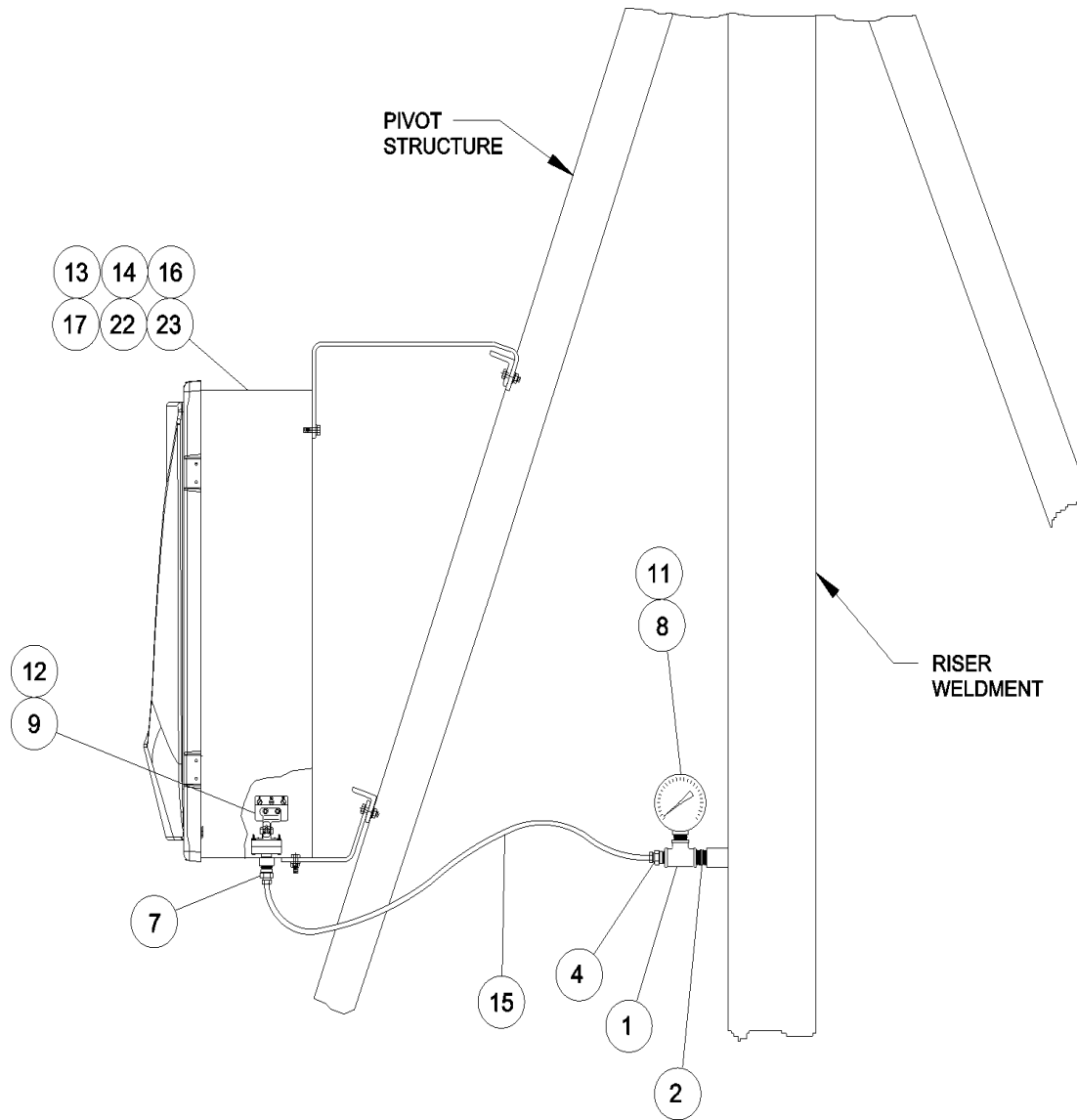


Figure A.1

Ref.	Part No.	Description
1	6-0649-1	Tee, Pipe, 1/4"
2	6-0652-5	Nipple, Pipe, 1/4" x 2"
3		
4	6-0956-0	Connector Hose, 1/4" x 1/4"
5		
6		
7	6-2159-9	Connector Hose, 1/4" x 1/8"
8	6-4715-6	Gauge, Pressure, Liq-Fill, 0-100 PSI
9	9-7240-6	Switch, Pressure, 3.5-90 PSI
10		
11	11-3569-8	Gauge, Pressure, Liq-Fill, 0-30 PSI
12	11-3570-6	Switch, Pressure, 2-50 PSI

Ref.	Part No.	Description
13	16-0061-1	Panel, BOSS, 480 Volt
14	16-0066-1	Panel, BOSS, 380 Volt, CE
15	11-8335-7	Tubing, 1/4" OD, Nylon, 6'
16	16-0057-4	Panel, BASIC, 480 Volt
17	16-0062-9	Panel, BASIC, 380 Volt, CE
18		
19		
20		
21		
22	16-0058-0	Panel, VISION, 480V
23	16-0063-1	Panel, VISION, 380V, CE