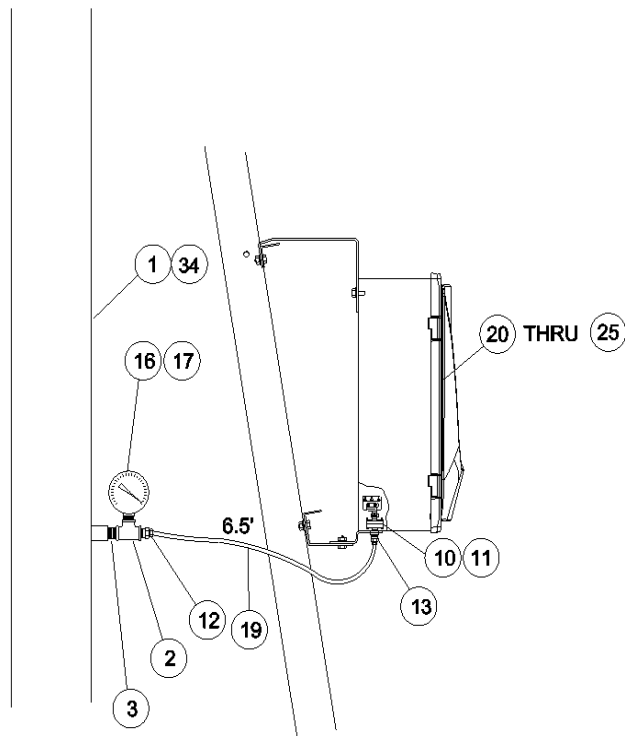
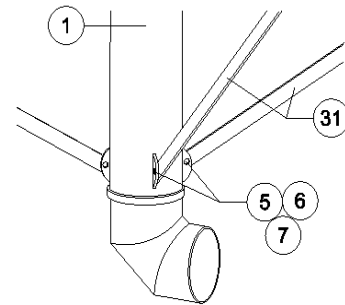
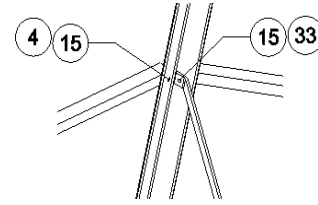
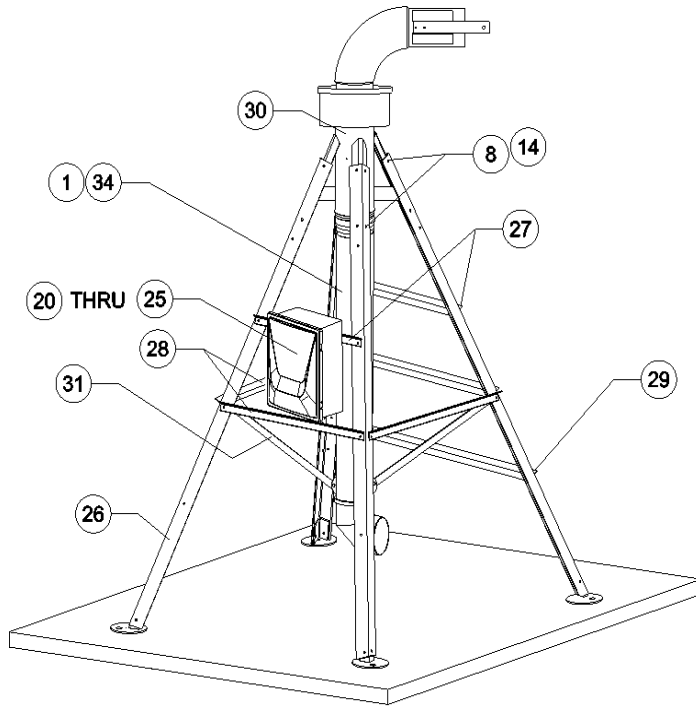


Pivot Points

Non-Tow, 6-5/8", 5-9/16", Compact Pivot





Pivot Points

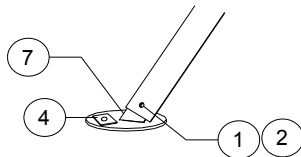
Non-Tow, 6-5/8", 5-9/16", Compact Pivot

Ref.	Original Part No.	Substitute Part No.	Description
1	03-0070-7		Riser, Pivot
2	06-0649-1		Tee, Pipe, 1/4"
3	06-0652-5		Nipple Pipe, 1/4 x 2
4	06-0804-2		Screw, 1/2-13 x 1-1/4", Hex, Gr. 5
5	06-0809-1		Screw, 3/4-10 x 2", Hex, Gr. 5
6	06-0816-6		Washer, Lock, 3/4"
7	06-0826-5		Nut, 3/4-10, Hex
8	06-0839-8		Screw, 5/8-11 x 1-1/2", Hex, Gr. 5
9	06-0840-6		Bolt, 1/4-20 x 2-1/2, J
10	06-0841-4		Nut, 1/4-20, Hex
11	06-0842-2		Washer, Flat, 1/4"
12	06-0956-0		Connector, Hose, 1/4" x 1/4" MPT
13	06-2159-9		Connector, Hose, 1/4" x 1/8" MPT
14	06-2416-3		Nut, 5/8-11, Lock
15	06-2418-9		Nut, 1/2-13, Lock
16	06-3343-8		Gauge, Pres., Liq-Filled, 0-160
17	06-4715-6		Gauge, Pres., Liq-Filled, 0-100
18	10-3475-0		Panel, Mount, Top

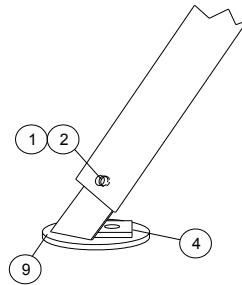
Ref.	Original Part No.	Substitute Part No.	Description
19	11-3531-8		Tubing, Plas., 1/4"OD x.040" Wall
20	16-0061-1		Panel, BOSS, 480 Volt
21	16-0066-1		Panel, BOSS, 380 Volt, CE
22	16-0057-4		Panel, BASIC, 480V
23	16-0062-9		Panel, BASIC, 380 Volt, CE
24	16-0058-0		Panel, VISION, 480V
25	16-0063-1		Panel, VISION, 380V, CE
26	13-5727-0		Leg, Pivot, 10"
27	13-5859-0		Brace, Truss Side, 40-1/2"
28	13-5860-0		Tie, Pivot, 2nd fm Bottom, 55-1/2"
29	13-5861-0		Tie, Truss, 70"
30	13-5725-0		Head Weldment, Pivot
31	13-5862-0		Strap, Pivot Riser
32	13-6473-0		Bracket, Panel Mount, Bottom
33	26-0760-4		Screw, 1/2-13 x 1-1/2", Hex, Gr. 5
34	13-5993-0		Bolt, Pivot Anchor, Non-Tow

Foot Options, Compact Pivot

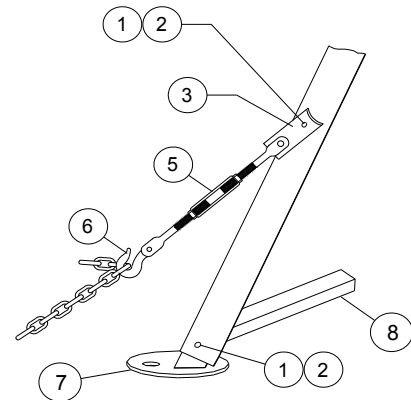
(Pivot foot not interchangeable with Gen II standard pivot point)



84.5" Spacing bolt pattern will fit standard Reinke pivot pad



78" Spacing bolt pattern will fit standard T & L pivot pad



Chain Tie Down Option

Ref.	Original Part No.	Substitute Part No.	Description
1	06-0839-8		Screw, 5/8-11 x 1-1/2", Hex, Gr. 5
2	06-2416-3		Nut, 5/8-11, Lock
3	04-2776-5		Bracket, Pivot Leg
4	04-4775-5		Washer, Rect., 15/16" x 2-1/2 x 3"
5	06-0011-4		Turnbuckle, 3/4 x 6 Clev. End, w/Pin

Ref.	Original Part No.	Substitute Part No.	Description
6	06-2382-7		Hook, Eye Grab, 1/2"
7	13-5807-0		Anchor, Pivot, Non-Tow
8	13-9497-0		Angle, Bottom, Pivot
9	13-9871-0		Anchor Weldment, Pivot